



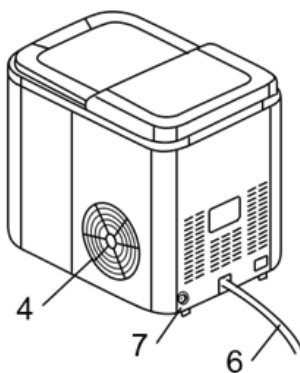
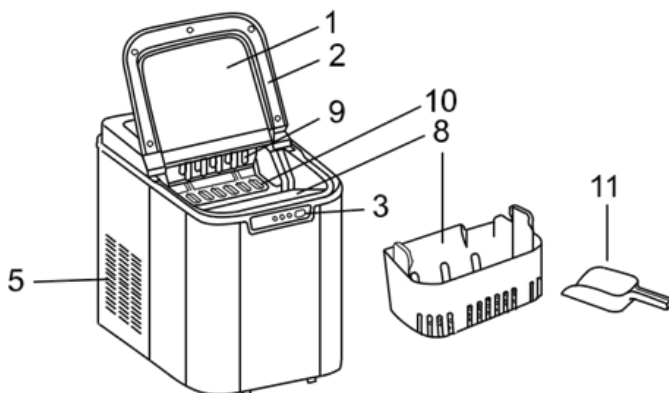
ICE MAKER INSTRUCTION MANUAL

Nexberg Pty Ltd
16 Enterprise Street
CALOUNDRA QLD 4551
Tel : 07 5492 7777
Email : sales@evakool.com



Description of parts

- 1 Transparent window
- 2 Cover
- 3 Operation panel
- 4 Air outlet
- 5 Air inlet
- 6 Power cord
- 7 Water outlet
- 8 Ice storage box
- 9 Refrigeration Unit
- 10 Ice making box
- 11 Shovel



Instruction Manual

Thank you for choosing the Evakool Icemaker. We hope you will enjoy using the appliance.

Symbols in these Instructions for use

Important information for your safety is specially marked. It is essential to comply with these instructions in order to avoid accidents and prevent damage to the machine:

WARNING:

This warns you of dangers to your health and indicates possible injury risks.

CAUTION:

This refers to possible hazards to the machine or other objects.

NOTE:

This highlights tips and information.

- When cleaning or putting it away, switch off the appliance and always pull out the plug from the socket (pull the plug itself, not the lead) if the appliance is not being used and remove the attached accessories.
- Do **not** operate the machine without supervision. If you leave the room you should always turn the device off. Remove the plug from the socket.
- The device and the mains lead have to be checked regularly for signs of damage. If damage is found the device must not be used.
- Use only original spare parts.
- In order to ensure your children's safety, please keep all packaging (plastic bags, boxes, polystyrene etc.) out of their reach.

WARNING:

Do not allow small children to play with the packaging as there is a **danger of suffocation!**

Contents

Location of Controls.....	2
Instruction Manual	3
Technical Specifications	5
Troubleshooting	4
Disposal	5

General Notes

Read the operating instructions carefully before putting the appliance into operation and keep the instructions including the warranty, the receipt and, if possible, the box with the internal packing. If you give this device to other people, please also pass on the operating instructions.

- The appliance is designed exclusively for private use and for the envisaged purpose. This appliance is not fit for commercial use.
- Do not use it outdoors. Keep it away from sources of heat, direct sunlight, humidity (never dip it into any liquid) and sharp edges. Do not use the appliance with wet hands. If the appliance is humid or wet, unplug it immediately.

Special safety information

for this unit

WARNING:

- Only use drinking water without additives! Additives remain in the water circuit and contaminate the appliance.
- Do not seal or block the ventilation openings in the housing.
- Do not damage the refrigerant circuit.

CAUTION:

Please observe a waiting period of 2 hours before initial operation and after moving the appliance for the coolant to settle; otherwise the compressor can be damaged.

- Do not store explosive substances such as aerosol cans with a flammable propellant in this appliance.
- Do not try to repair the appliance on your own. Always contact an authorized technician. To avoid the exposure to danger, always have a faulty cable be replaced only by the manufacturer, by our customer service or by a qualified person and with a cable of the same type.

Unpacking the device

- This appliance can be used by **children** aged from 8 years and above and persons with reduced physical, sensory or mental capabilities or lack of experience and knowledge if they have been given supervision or instruction concerning use of the appliance in a safe way and understand the hazards involved.
- **Children** shall not play with the appliance.
- Cleaning and **user maintenance** shall not be made by **children** without supervision.
- Move and store the appliance only upright.
- Do not place the appliance on or in close proximity of heat sources, such as ovens, heaters, etc.
- Place the appliance on a stable, level surface. Keep a distance of at least 15 cm on all sides.
- This appliance is designed for making ice cubes from drinking water. It is intended for domestic use and similar applications such as e. g. staff kitchens in shops, offices and other workplaces.

It is not intended for the following usage:

- in agriculture;
- by guests in motels, hotels and other accommodation;
- in bed & breakfast establishments;
- in catering and other wholesale use.

Intended Use

This appliance makes ice cubes from drinking water.

The appliance is only intended for this use. Use this appliance only as described in this user manual. Do not use this appliance commercially.

All other use is not intended and can cause damages to the appliance and even injuries.

- Unpack the device.
- Remove all packaging materials such as foils, filling material, cable ties and cardboard packaging.

NOTE:

The appliance may still be covered in some residues from the manufacturing process. Please clean the appliance as described in chapter “Cleaning”.

Operation

CAUTION:

Please observe a waiting period of 2 hours before initial operation and after moving the appliance for the coolant to settle; otherwise the compressor can be damaged.

Mains Power Connection

- Be sure the voltage of the appliance (rating plate) corresponds with the mains voltage before connecting to mains power supply.
- Connect the appliance to a properly installed wall outlet.

Making Ice Cubes

i NOTE:

For hygienic reasons do not use the ice cubes from the first cycle.


1. Connect the mains plug to the wall socket. Do not turn on the ice maker within 30 minutes after moving.
2. Open the lid and remove the ice cube container.
3. Pour water into the water tank up to the MAX-marking. Please use drinking water for making ice.

⚠ CAUTION:

Only use drinking water without additives!

i NOTE:

- The MAX marking is inside the water tank, around the lower edge of the ice cube container.
- The water level must be below the ice cube container.
- Only use water at room temperature.

4. Replace the ice cube container and close the lid
5. Press  key to start making ice.
6. The process takes around 10 minutes.
7. Keep the lid closed.

i NOTE:

- Depending on water/ambient temperature the first ice cubes come out a bit smaller
- Due to fast freezing the ice cubes can look milky. This is the air trapped in the water and does not influence the quality of the ice cubes.

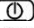
Stop Ice Cube Production

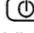
Press  key to stop Ice cube production


i NOTE:

Before finally stopping the appliance automatically empties the water tank and dissolves already produced ice cubes.

Main switch

Press  to start / stop the ice cube production

Press  to resume making ice cubes after adding water when water tank is empty; the indicator lamp ADD WATER turns off.


Press  to eliminate errors

Indicator Lamp ICE FULL

- The lamp indicates the ice storage box is full. Remove all the ice cubes from the box.
- The low temperature protection (ambient temperature is lower than 5°C)

Indicator Lamp ADD WATER

The Indicator lamp turns on if the water tank is nearly empty. The unit turns off automatically.

1. Open the lid and remove the ice cube box
2. Pour water into the water tank up to the MAX-marking. Please use drinking water for making ice.
3. Replace the ice cube container and close the lid. Press  key to start making ice.

Indicator Lamp RUNNING

- The indicator lamp starts flashing as soon as unit was plugged into the wall socket.
- During operation indicator lamp illuminates continuously.

⚠ CAUTION:

Wait at least 3 minutes before turning the appliance on again, otherwise the compressor can be damaged.

Cleaning

⚠ WARNING:

Always disconnect from mains power supply before cleaning.

⚠ CAUTION:

- Do not use harsh or abrasive cleaning agents.
- Do not use chemicals, acids, petrol or oil products.
- Do not submerge the appliance in water.

i NOTE:

- For hygienic reasons exchange the water in the tank after 24 hours.
- To avoid fungi and bacteria leave the lid open after use.

Ice cube container

Remove the ice cube container and clean it with a mild detergent under running warm water.

Casing and Interior

- Clean casing and interior with a damp cloth
- Use a diluted solution of vinegar and water

Drain Residual water

Drain the residual water if the appliance is not in use for a longer period of time.

Rest the appliance on a table edge. Hold a bowl under residual water drain valve.

- Turn the residual water drain valve anti-clock-wise to drain off the rest of water.
- Close the residual water drain valve after the residual water has been drained.

Storage

- We recommend that you keep the appliance in the original packing if you do not intend using it for long periods.
- Always keep the appliance out of the reach of children in a dry, well-ventilated place.

Troubleshooting

Problem	Possible Cause	Solution
WORK indicator light is not illuminating.	Power Source is not switched on.	<ol style="list-style-type: none"> 1. Check the power supply matches 2. Check the power cord is connected correctly 3. Internal components are damaged. Contact Evakool.
ICE FULL indicator light is illuminating.	<ol style="list-style-type: none"> 1. Ice tray is full. 2. Low-temperature protection (temperature is lower than 5°C). 	<ol style="list-style-type: none"> 1. Remove the ice cubes. 2. Move the Ice maker to a warmer place, where the ambient temperature is higher than 5°C.
ADD WATER indicator light is illuminating.	Water Shortage	<ol style="list-style-type: none"> 1. Add drinking water into Ice maker, and press (ⓘ) Button. 2. Water supply system is damaged. Contact Evakool.
ICE FULL and ADD WATER indicator lights are both illuminating. Ice making performance is not good. Abnormal noise.	1. Ice Making box is inserted in wrong position.	<ol style="list-style-type: none"> 1. Check whether any foreign body stuck the Ice making box. 2. Internal components are damaged. Contact Evakool.
	<ol style="list-style-type: none"> 1. Heat elimination is bad. 2. Water temperature is too high. 3. Ambient temperature is too high. 4. Refrigerant leaks. Fan or pump is damaged. 	<ol style="list-style-type: none"> 1. Clean the dust on the cooling fan and air inlet/outlet part. 2. Fill normal temperature water. 3. Do not place the appliance in high temperature conditions. 4. Refrigerating system is damaged. Contact Evakool

Noise emission

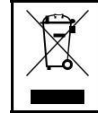
The emission value is < 70 dB(A)

Technical Specifications

Model:	EK IceMaker
Voltage supply:.....	220-240V~ 50/60Hz
Power input:.....	0.9A
Ice cube production:.....	10-15 kg / 24 hrs
Water tank volume:.....	approx. 2.2 Litres
Coolant:.....	R134a/46g
Blowing gas:.....	C_5H_{10}
Protection class:.....	I
Climate class:.....	SN/N/ST/T
Net weight:	10.5 kg

The right to make technical and design modifications in the course of continuous product development remains reserved.

This device complies with all current CE directives, such as electromagnetic compatibility and low voltage directive and is manufactured according to the latest safety regulations.



Disposal

Meaning of the “Wheelie Bin” Symbol

Take care of our environment, do not dispose of electrical appliances via the household waste.

Dispose of obsolete or defective electrical appliances via municipal collection points.

Please help to avoid potential environmental and health impacts through improper waste disposal.

You contribute to recycling and other forms of utilization of old electric and electronic appliances.

Your municipality provides you with information about collecting points.

